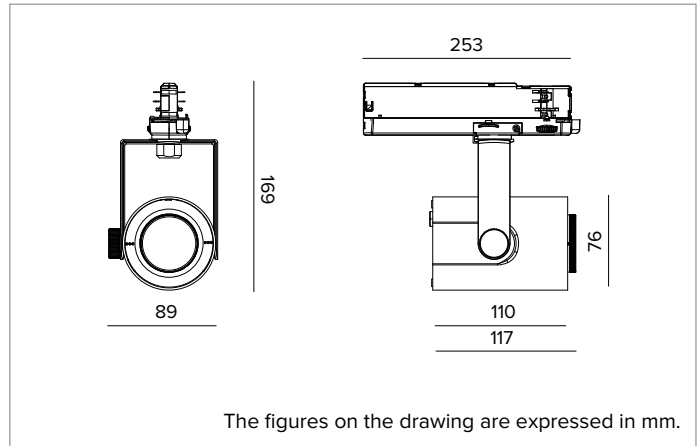
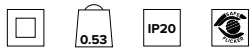


T036ZMS930DAPW | RAY 75 ZOOM

Professional adjustable LED projector with a variable light beam opening



The fixture's photometric values can be found on the following pages



The figures on the drawing are expressed in mm.

SOURCE

High efficiency Chip on Board LED Ra90. Ra97 on request.

Energy efficiency class: F

Nominal power: 17W

Nominal flux: 1759lm

Colour rendering index: 90

Rf: 92

Rg: 101

CCT nominal: 3000K

Lifetime (L80/B10): >50000h tq +25°C

ILLUMINOTECHNICAL CHARACTERISTICS

ZOOM SMART version: optic composed of two PMMA elements working together, a fixed TIR primary lens and a secondary adjustable one. Rotation of the second lens of just 14° covers the zoom range between minimum and maximum opening.

Optic: LENS

Beam angles: SP-MWFL

Optical efficiency: See photometries

Fixture flux: See photometries

Luminous efficacy: See photometries

Photobiological safety: Compliant with RG1 low risk group

MECHANICAL CHARACTERISTICS

Painted die-cast aluminium body. Black painted polycarbonate front ring. Adjustable from 0° to -90° on the vertical plane and 359° on the horizontal plane. Mechanical beam locking system on the vertical plane and friction beam locking system on the horizontal plane. The centre of gravity always remains in axis with the track regardless of the aiming.

Colour and finish: Plaster white

Dimensions: 75

Weight: 0.53Kg

Version: ZOOM SMART

Degree of protection: IP20

ELECTRICAL CHARACTERISTICS

DALI electronic driver integrated into the track adapter.

Fixture Power: 20W

Power supply: 220-240Vac 50/60Hz

Insulation Class: CLASS 2

Type of driver / Control: DALI

Driver included: YES

Class F: YES

SAFE FLICKER: PstLM=<1 and SVM=<0.4 (IEC TR 61547-1 and IEC TR 63158), to ensure a more comfortable and safe light

Ambient temperature: 0°C / +25°C

INSTALLATION

Electrified track mounting.

NOTES

110-277Vac version available on request.

WARRANTY

5 years.

WARNING

Luminaire designed for disposal/recycling at end-of-life. Replaceable (LED only) light source by a professional. Replaceable control gear by a professional.

Due to the technological evolution of the electronic components, the data provided may be updated, and as such, confirmation must be requested during the order process.

Luminous flux and power supply have +/-10% tolerances with respect to the indicated value. tq +25°C (CIE 121).

We reserve the right to make technical changes.

Targetti Sankey S.r.l.
Via Pratese, 164
50145 Firenze - Italy
Tel: +39 055 37911
targetti.com
targetti@targetti.com

CCIAA Firenze
Share Capital:
€ 500.000,00
VAT N. (IT):
01537660480
R.E.A: FI-275656

TARGETTI

T036ZMS930DAPW | RAY 75 ZOOM
Professional adjustable LED projector with a variable light beam opening



	3000K	H(m)	D(m)	Emax(lx)		
	Ra90		17°			
Fixture Power	20W	1	0.29	10464		
Source Flux	1759lm	2	0.58	2616		
Fixture Flux	1266lm	3	0.88	1163		
Efficacy	65lm/W	4	1.17	654		
TS1931	I _{max} =5949cd/klm	I _{max}	10464cd	5	1.46	419



	3000K	H(m)	D(m)	Emax(lx)		
	Ra90		50°			
Fixture Power	20W	1	0.93	1779		
Source Flux	1759lm	2	1.85	445		
Fixture Flux	1206lm	3	2.78	198		
Efficacy	62lm/W	4	3.71	111		
TS1930	I _{max} =1011cd/klm	I _{max}	1779cd	5	4.63	71

SP

Fixture flux 1266lm
 Luminous efficacy 65lm/W
 Optical efficiency 72%

FL

Fixture flux 1206lm
 Luminous efficacy 62lm/W
 Optical efficiency 69%

Due to the technological evolution of the electronic components, the data provided may be updated, and as such, confirmation must be requested during the order process.
 Luminous flux and power supply have +/-10% tolerances with respect to the indicated value. tq +25°C (CIE 121).

Targetti Sankey S.r.l.
 Via Pratese, 164
 50145 Firenze - Italy
 Tel: +39 055 37911
 targetti.com
 targetti@targetti.com

CCIAA Firenze
 Share Capital:
 € 500.000,00
 VAT N. (IT):
 01537660480
 R.E.A.: FI-275656



We reserve the right to make technical changes.